

DL-906R

120V Line Voltage

6" NON-IC Type Remodel Housing For Sloped Ceiling

Catalog #		Type
Project		Date
Prepared by		

INCANDESCENT

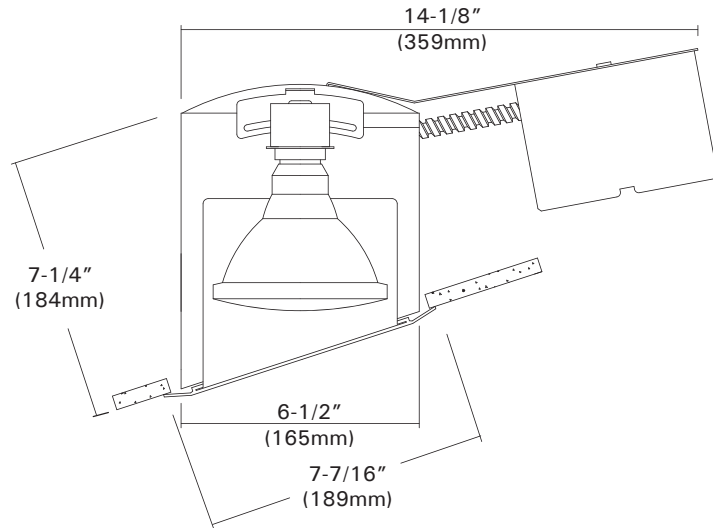


DESCRIPTION

Sloped ceiling NON-IC remodel housing designed for installation in areas where the backside of the ceiling is inaccessible.

APPLICATION

The DL-906R is designed for use in both existing non-insulated and insulated ceilings. Insulation material must be kept a minimum of 3" from all sides of the housing.



DESIGN FEATURES

◦ Housing

- Single wall steel housing.
- 7-1/4" height allows use in 2"X8" joist construction.
- Housing adjusts for ceilings up to 1/2" thick.

◦ Junction Box

- Listed for through branch circuit wiring. (Max. 8 No 12 AWG 90°C branch circuit conductors. (4 in, 4 out)
- (5) 1/2" knockouts with true pry-out slots and (4) knockouts with Romex cable clamp.
- Ground wire provided on J-box.

◦ Remodel Clips

- 3 remodel clips secure housing and accommodates 1/2" and 5/8" ceiling materials.

◦ Socket

- Medium base porcelain with nickel-plated copper screw shell.
- Adjustable to position lamp perpendicular to floor.

◦ Lamp

- Lamp ratings based on trim selected - See trim page for more details.

◦ Thermal Protector

- Self-resetting thermal protector in the housing deactivates fixture if overheating occurs due to improper lamping or insulation.

* Listing

- UL, c-UL listed for damp location.
- UL, c-UL listed for feed through.

Oval Ceiling Cut-out : 7-1/16"x6-7/8"
Lamp, Max, Watt. : 150W A19 / R40 / PAR38

◦ Optional "Quick Connect" Push-in wire connectors.

- Three "Quick Connectors"
- Pre-installed push-in wire connectors for fast and easy wiring.

Trims

6" Incandescent Trims For

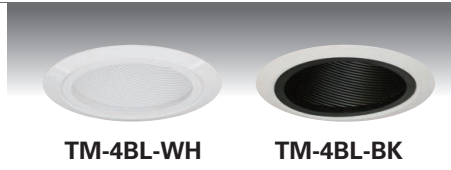
DL-906, DL-906R, IC-806, IC-806R, IC-906AT

Catalog #		Type
Project		Date
Prepared by		

INCANDESCENT

TM-4BL

Slope Baffle
NON-IC : R40/PAR38-150W
IC : PAR30/38-75W Max.
IH-690ICA : PAR38-90W
 White Plastic Trim Ring
 O.D : 7-7/8"



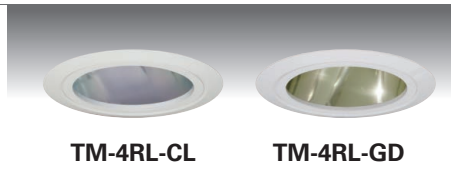
TM-38E

Eyeball w/ Baffle
PAR30/R30-75W
 White Metal Trim Ring
 O.D : 8-1/8"



TM-4RL

Slope Reflector
NON-IC : R40/PAR38-100W
IC : PAR30/38-75W Max.
IH-690ICA : PAR38-90W
 White Plastic Trim Ring
 O.D : 7-7/8"



TM-7/TM-7P

Shower Fresnel Lens
NON-IC : A19-60W
IC : A19-40W
 White Plastic Trim Ring
 O.D : 8-1/8"
 *Symbol (P) is for Lexan Trim



TM-8E

Eyeball
PAR30/R30-75W
 White Metal Trim Ring
 O.D : 8-1/8"



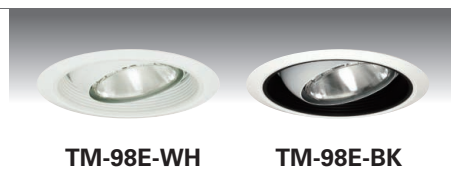
TM-6/TM-6P

Shower Drop Opal
NON-IC : A19-60W
IC : A19-40W
 White Plastic Trim Ring
 O.D : 8-1/8"
 *Symbol (P) is for Lexan Trim



TM-98E

Regressed Eyeball w/ Baffle
PAR30/R30 - 75W
 White Plastic Trim Ring
 O.D : 7-7/8"



TM-5/TM-5P

Shower Albalite Lens
NON-IC : A19-60W
IC : A19-40W
 White Metal Trim Ring
 O.D : 8-1/8"
 *Symbol (P) is for Lexan Trim



6" Incandescent Trims For

DL-9068, DL-9068R, IC-8068, IC-8068R, IC-9068AT

TM-48BL

Super Slope Baffle
NON-IC : R40/PAR38-150W
IC : PAR30/R38-75W Max.
 White Plastic Trim Ring
 O.D : 9-5/32" x 7-3/4"



TM-48RL

Super Slope Reflector
NON-IC : R40/PAR38-150W
IC : PAR30/R38-75W Max.
 White Plastic Trim Ring
 O.D : 9-5/32" x 7-3/4"



ORDERING INFORMATION

Choose the catalog / finish codes that best suit your needs and enter it on the appropriate line.

TRIM MODEL	REFLECTOR	BAFFLE	METAL RING
	CL :Clear	WH :White	WH :White
	WH :White	BK :Black	BK :Black
	GD :Gold	SN :Satin Nickel	SN :Satin Nickel
	MA :Matte Platinum	AN :Antique Nickel	AN :Antique Nickel
	CP :Champagne	AC :Antique Copper	AC :Antique Copper
	PR :Pewter	MO :Mocha	MO :Mocha
	HC :Haze Clear	CA :Cappuccino	CA :Cappuccino
		CH :Chrome	CH :Chrome
		UN :Natural Steel	UN :Natural Steel
		PB :Polished Brass	PB :Polished Brass

Examples:

TM-6P-WH = Drop Opal Lens w/ White Lexan Trim Ring
 TM-98E-BK-WO = White Trim Ring with White Eyeball & Black Baffle
 TM-48BL-BK-WO = White Trim Ring with Black Super Slope Baffle
 TM-5-WH = Albalite Lens w/ White Trim Ring